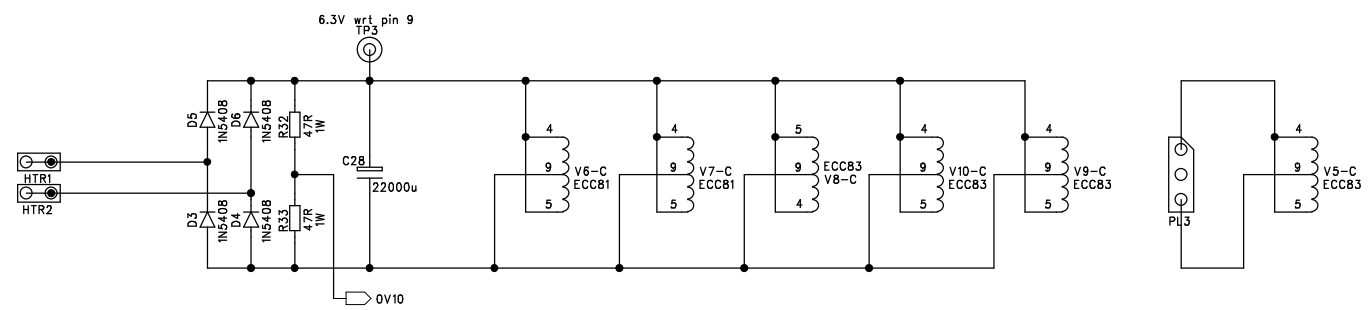
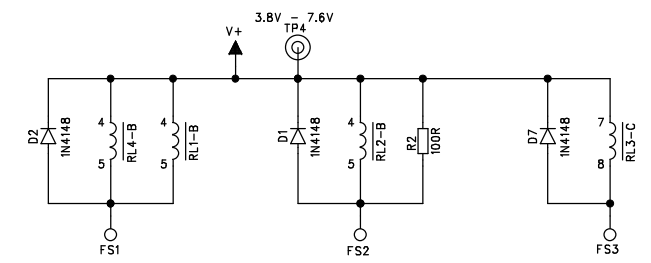
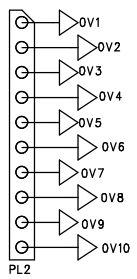
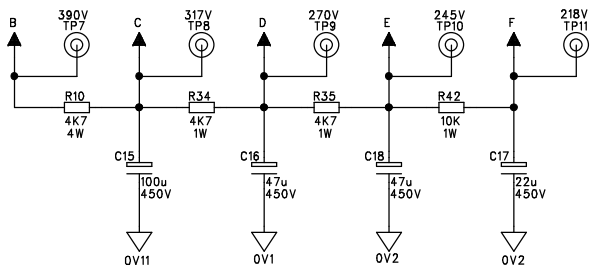
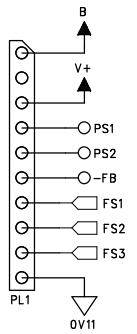



 COMPONENTS USED ARE
 OF AN APPROVED TYPE AND
 MUST BE REPLACED ACCORDINGLY



SHEET 2/2

TITLE	SUPPLIES, HEATERS, RELAYS	ORANGE Musical Electronic Co Ltd
PROJECT	ORANGE THUNDERVIB	Glenhaven Avenue
DRAWING No	ORA-CD209	Borehamwood WD6 1AY
ISSUE		Great Britain
DATE	23 November 2006	Tel: +44 (0) 20 8905 2828
SCHEMATIC/PCB DRAWN BY	Paul Stevens	Fax: +44 (0) 20 8905 2868
ORIGINAL CIRCUIT DESIGN BY	Adrian Emsley	info@orangeamps.com